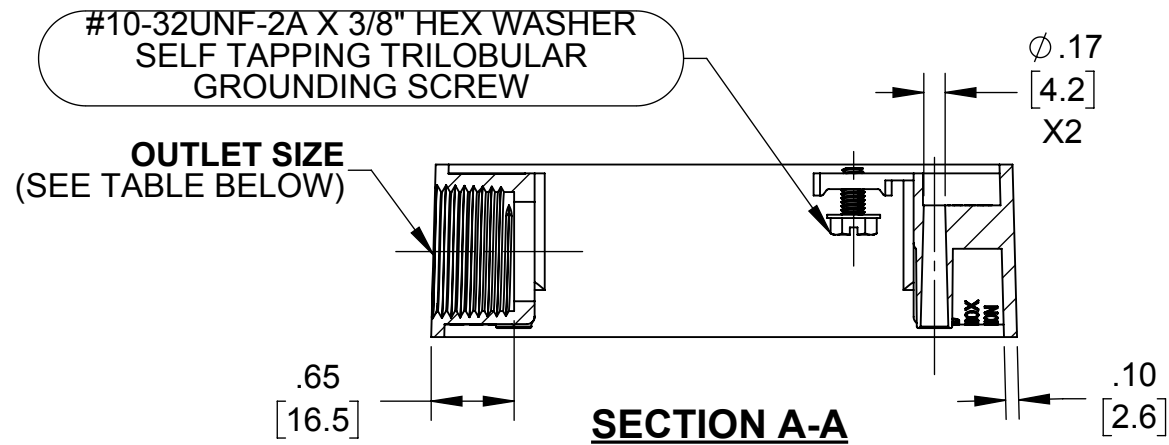
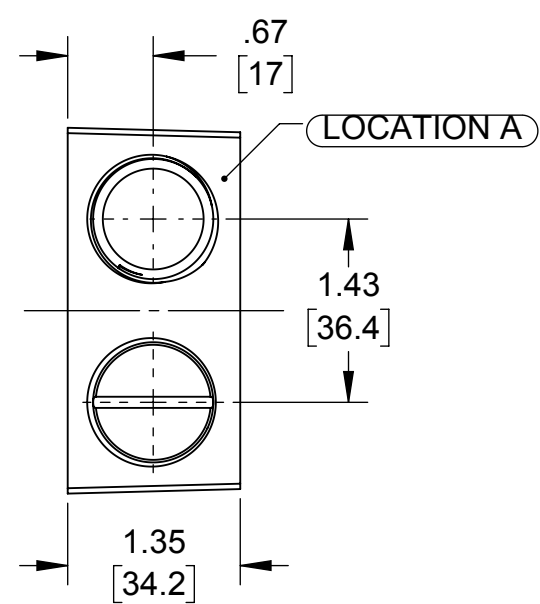
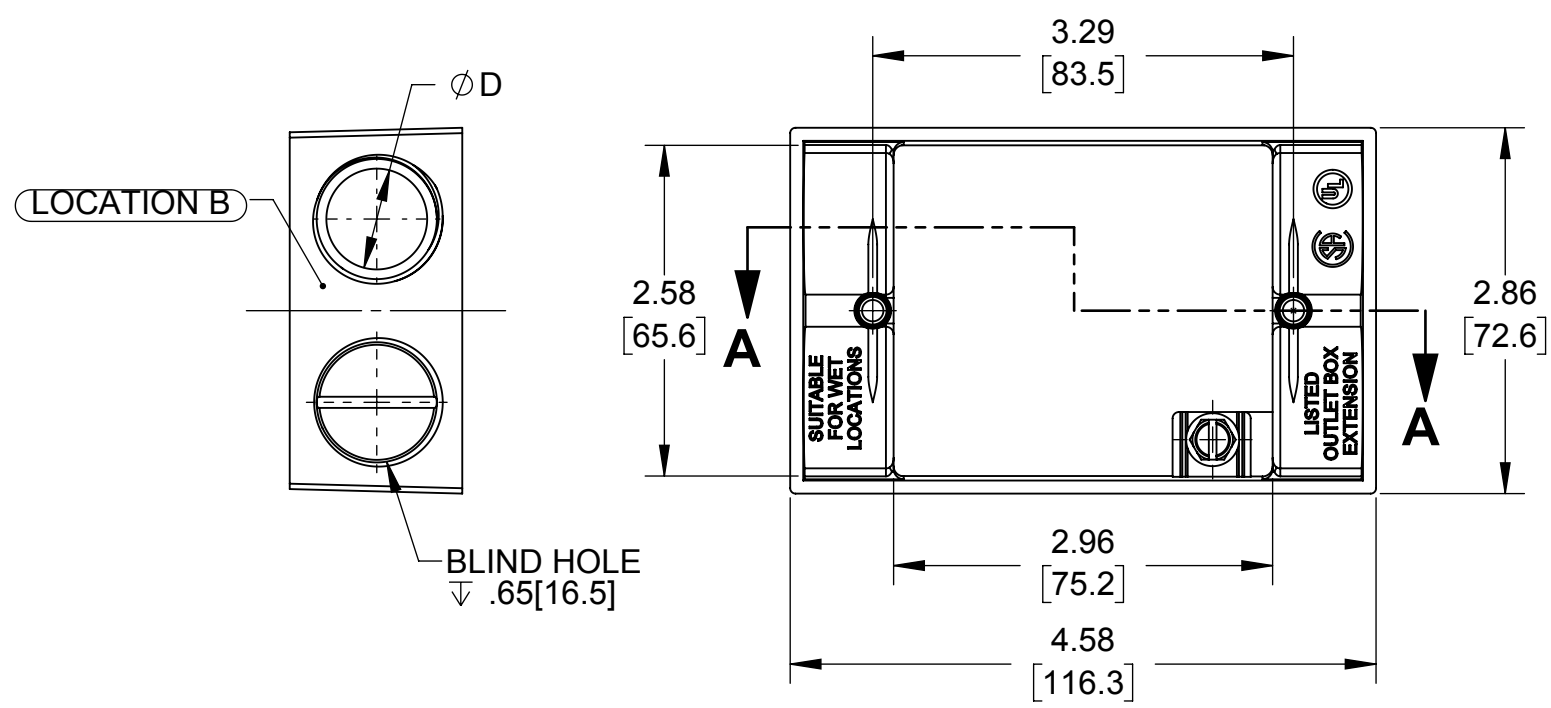
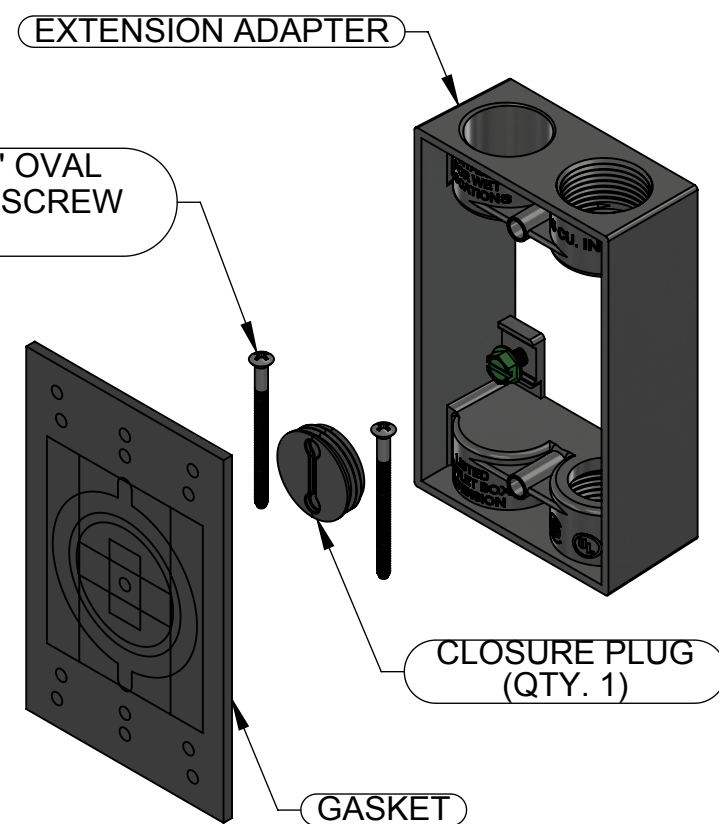


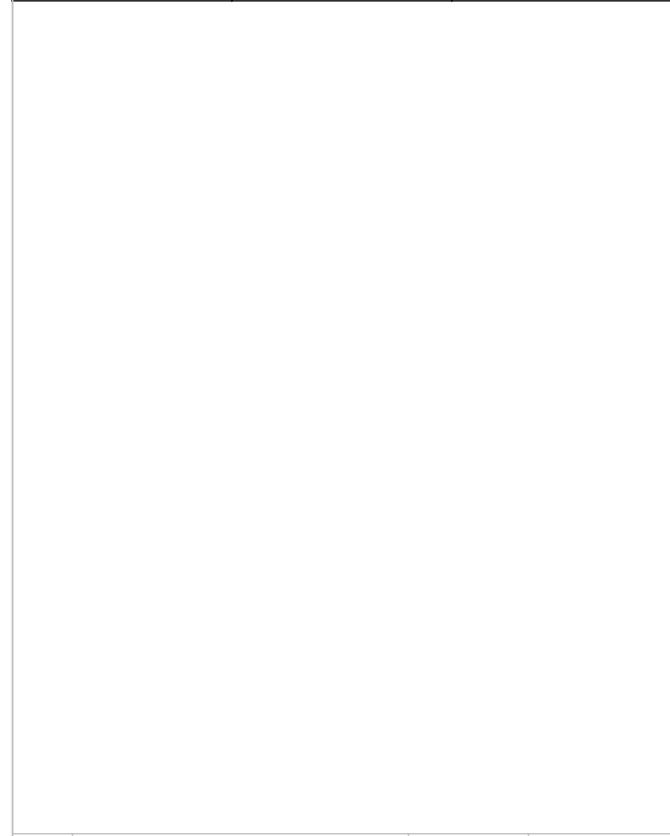
CAT. #	COLOR	BOX VOLUME	Ø D
5399-0	GRAY AKZO NOBEL# JW107N	9.50 IN <sup>3</sup> {155.7 CM <sup>3</sup> }	.62 [15.7]
5403-0	GRAY AKZO NOBEL# JW107N	11.00 IN <sup>3</sup> {180.3 CM <sup>3</sup> }	.79 [20.1]



#6 - 32 UNC-2A X 1.875" OVAL COUNTERSUNK HEAD SCREW (QTY. 2)



LIST OF PARTS		
DESCRIPTION	MATERIAL	FINISH
EXTENSION ADAPTOR	DIE-CAST ALUMINUM	PAINT
GROUNDING SCREW	C1022 STEEL	GREEN ZINC AERODITE
CLOSURE PLUG	LEXAN/ ZINC	N/A
OVAL HEAD SCREW	C1010 STEEL	.00015" ZINC PASSIVATION
GASKET	P.E. FOAM	BLACK
<b>GRAY BOX</b>	CLOSURE PLUG 1/2" & 3/4" NPT	
	MATERIAL	FINISH
PRIMARY	LEXAN	GRAY
ALTERNATE	ZINC	NATURAL



SYM.	REVISION DESCRIPTION	APP	DATE
	INITIAL RELEASE	S.J.	07-05-2017

THE DESIGN AND DIMENSIONS OF THE PRODUCT SHOWN ON THIS DRAWING ARE SUBJECT TO CHANGE WITHOUT NOTICE

TITLE:  
**SINGLE GANG EXTENSION ADAPTER WITH 2 OUTLETS**

TOLERANCE UNLESS OTHERWISE SPECIFIED		<b>RACO</b> South Bend, Indiana	
.XX DECIMAL ±.015		DRAWN BY: F.P.	SCALE: 2:3
.XXX DECIMAL ±.005		APP. BY: S.J.	
ANGLE ±2°		DATE: 07/05/2017	

- NOTES:
- ALL DIMENSIONS ARE IN INCHES AND [MILLIMETERS]
  - BOX VOLUME: SEE TABLE
  - UL & CSA LISTED.

OUTLETS			
CAT. #	OUTLET SIZE	OUTLET LOCATION	OUTLET QTY.
5399-0	1/2" - 14 NPT	A & B	1
5403-0	3/4" - 14 NPT	A & B	1

FILE NO. :  
**SINGLE GANG EXTENSION ADAPTER WITH 2 OUTLETS CUS**  
DIMENSION SHEET FOR CAT. NO. **SEE CHART**  
SIZE: **B**